

SULZER

Massblatt XFP 100G-CB1 Trockeninstallation

Dimension sheet DRY-WELL Installation

Dimensioni Installazione a secco

Hoja de dimensiones instalación en seco

Plan d'encombrement Installation à sec

No: AN-M.22.592 - 03

Drawn: 05/08/10 D.Whelan

Issue Date: 09/05/2013

Änderungen vorbehalten

Technical changes reserved

Con riserva di modifiche

Con reserva de modificaciones

Sous réserve de modification

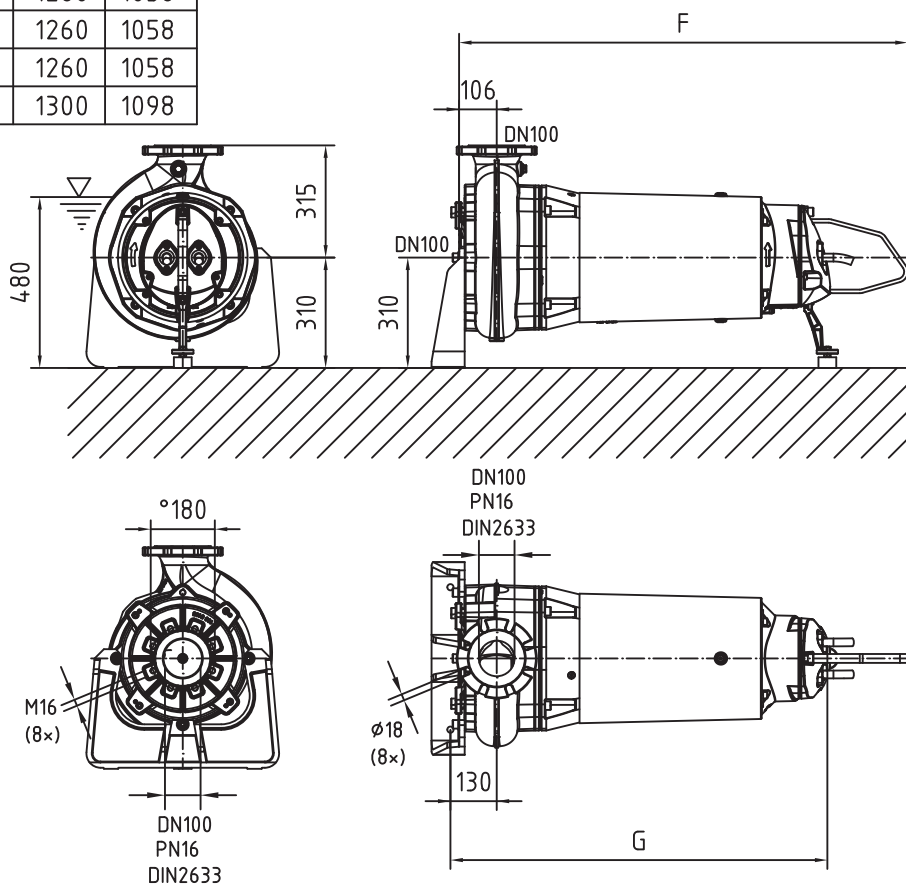
50 Hz**S.I.**

Typ Type Tipo	Gewicht Weight Poids N.C.J. (kg)	Gewicht Weight Poids W.C.J. (kg)	F (mm)	G (mm)
PE 110/4	359	399	1260	1058
PE 140/4	359	399	1260	1058
PE 160/4	379	419	1260	1058
PE 185/4	379	419	1260	1058
PE 220/4	389	439	1300	1098

60 Hz

Typ Type Tipo	Gewicht Weight Poids N.C.J. (kg)	Gewicht Weight Poids W.C.J. (kg)	F (mm)	G (mm)
PE 90/6	369	419	1260	1058
PE 130/4	359	393	1260	1058
PE 150/4	359	393	1260 <td 1058	
PE 185/4	379	413	1260	1058
PE 210/4	389	429	1260	1058
PE 250/4	393	443	1300	1098

N.C.J. = No Cooling Jacket
W.C.J. = With Cooling Jacket



Gewicht: Beinhaltet Pumpe, horizontal Stützen und Kabel (50 Hz = 10 m; 60 Hz = 15 m)
Weight: includes pump, horizontal supports and cable (50 Hz = 10 m; 60 Hz = 15 m)
Peso: include pompa, supporti orizzontali e cavo (50 Hz = 10 m; 60 Hz = 15 m)
Peso: Incluye bomba, soporte horizontal y cable (50 Hz = 10 m; 60 Hz = 15 m)
Poids : incluant la pompe, les supports horizontaux et le cable (50 Hz = 10 m; 60 Hz = 15 m)

Guss-Allgemeintoleranzen nach DIN1680 - GTB16
General tolerances for castings in acc. to DIN1680-GTB16
Tolleranze generali delle fusioni secondo DIN1680-GTB16
Tolerancias generales para la fundición seg. de DIN1680-GTB16
Tolérance générale de la fonderie selon DIN1680-GTB16

SULZER

Massblatt XFP 100G-CB1 Trockeninstallation
 Dimension sheet DRY-WELL Installation
 Dimensioni Installazione a secco
 Hoja de dimensiones instalación en seco
 Plan d'encombrement Installation à sec

No: AN-M.22.592 - 03
 Drawn: 05/08/10 D.Whelan
 Issue Date: 09/05/2013
 Änderungen vorbehalten
 Technical changes reserved
 Con riserva di modifiche
 Con reserva de modificaciones
 Sous réserve de modification

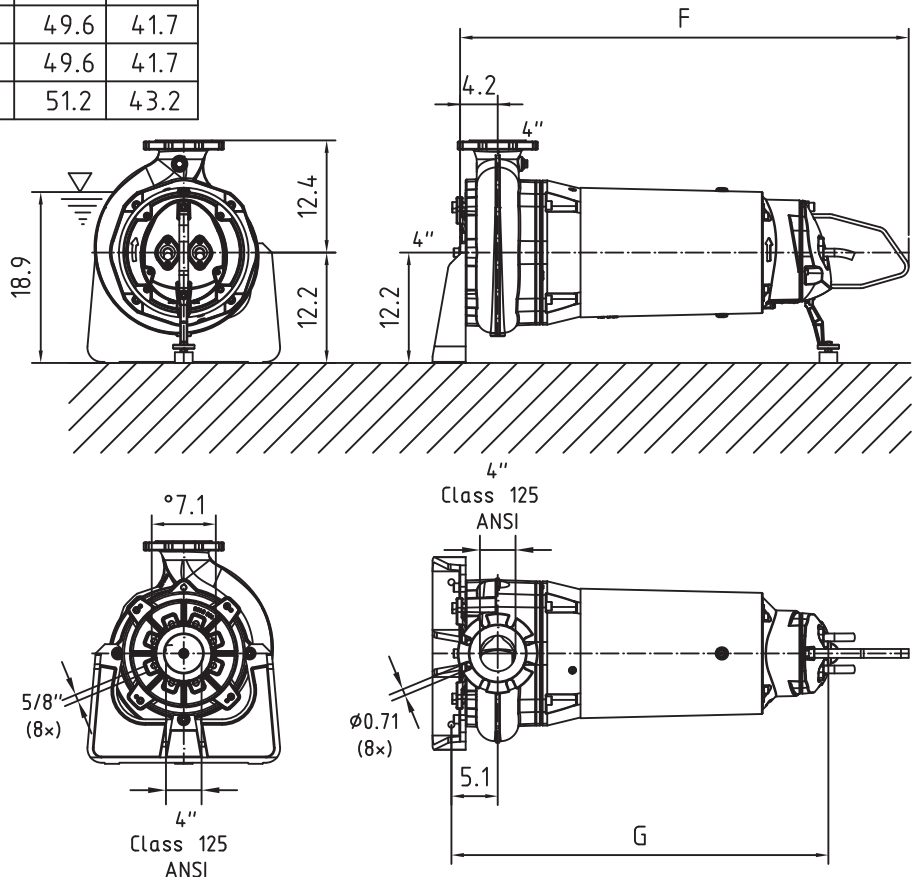
50 Hz**U.S.**

Typ Type Tipo	Gewicht Weight Poids N.C.J.	Gewicht Weight Poids W.C.J. (lbs)	F (")	G (")
PE 110/4	792	880	49.6	41.7
PE 140/4	792	880	49.6	41.7
PE 160/4	836	924	49.6	41.7
PE 185/4	836	924	49.6	41.7
PE 220/4	858	960	51.2	43.2

60 Hz

Typ Type Tipo	Gewicht Weight Poids N.C.J.	Gewicht Weight Poids W.C.J. (lbs)	F (")	G (")
PE 90/6	814	924	49.6	41.7
PE 130/4	792	867	49.6	41.7
PE 150/4	792	867	49.6	41.7
PE 185/4	836	911	49.6	41.7
PE 210/4	858	946	49.6	41.7
PE 250/4	867	977	51.2	43.2

N.C.J. = No Cooling Jacket
 W.C.J. = With Cooling Jacket



Gewicht: Beinhaltet Pumpe, horizontal Stützen und Kabel (50 Hz = 10 m; 60 Hz = 15 m)
 Weight: includes pump, horizontal supports and cable (50 Hz = 10 m; 60 Hz = 15 m)
 Peso: include pompa, supporti orizzontali e cavo (50 Hz = 10 m; 60 Hz = 15 m)
 Peso: Incluye bomba, soporte horizontal y cable (50 Hz = 10 m; 60 Hz = 15 m)
 Poids : incluant la pompe, les supports horizontaux et le cable (50 Hz = 10 m; 60 Hz = 15 m)

Guss-Allgemeintoleranzen nach DIN1680 - GTB16
 General tolerances for castings in acc. to DIN1680-GTB16
 Tolleranze generali delle fusioni secondo DIN1680-GTB16
 Tolerancias generales para la fundición seg. de DIN1680-GTB16
 Tolérance générale de la fonderie selon DIN1680-GTB16